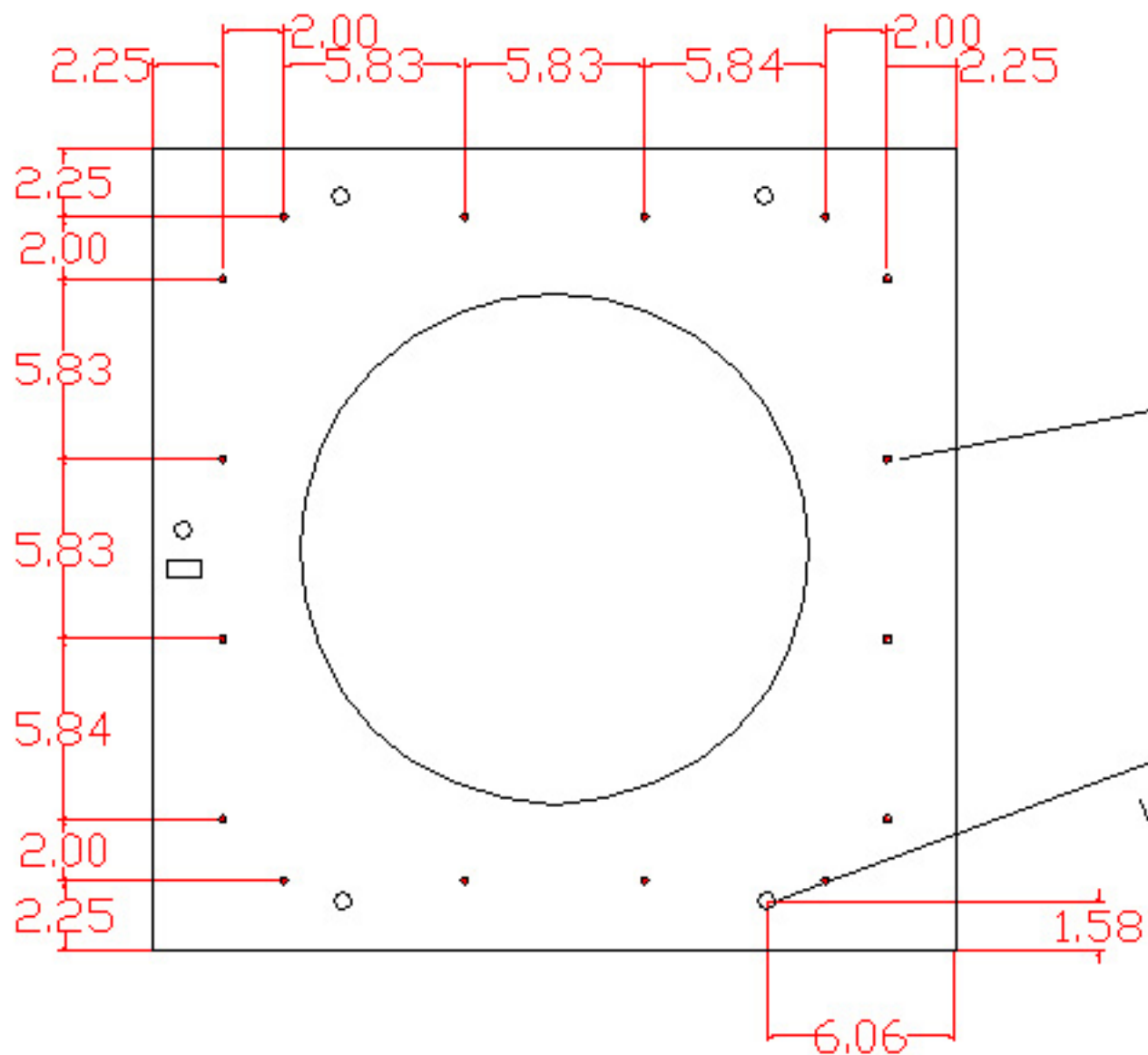


MODEL 1001



NOTE: DESIGNED FOR 20" X 20" INLET DUCT W/ 1" FLANGE. MOUNTING HOLES SPACED 21.5" APART. USE 10-32 SCREWS

16 X 10-32 THREADED INSERTS ARE PROVIDED ON THE UNIT.

4 X FILTER SEAL TURN DOWN BOLTS w/ 9/16" HEADS (REQUIRES 9/16" WRENCH) TURN DOWN TO ~4-5 FT-LBS TORQUE

ADDITIONAL NOTES

1. FILTER MUST BE MOUNTED MIN 4" OFF FLOOR OR PLATFORM.
2. INLET DUCT MUST HAVE MIN 8" STRAIGHT SECTION (NO ELBOWS) TO FACILITATE TURNDOWN BOLT OPERATION.

INLET CONNECTIONS